

CL4111

Product Technical Brief

- **Capacities:**
 - 120 GB, 240 GB, 480 GB
 - 960 GB (see datasheet *PNY_SSD_DATA-SHEET_CL4111_960*)
- **Components:**
 - Controller: SF2281
 - MLC NAND Flash Memory
- **Form Factor:**
 - 2.5-inch
- **Thickness:**
 - 7 mm with 2.5 mm spacer
- **Weight:**
 - 80 grams (MAX)
- **Sequential Read/Write¹:**
 - Sequential Read: up to 555 MB/s
 - Sequential Write: up to 530 MB/s
- **Random Read/Write²:**
 - Random Read: up to 36,000 IOPS
 - Random Write: up to 90,000 IOPS
- **Compliance:**
 - SATA Revision 3.1; compatible with SATA 6Gb/s, 3Gb/s and 1.5Gb/s interface rates
 - ATA-ATAPI command Set – 2 (ACS-2); includes SCT (Smart Command Transport) and device statistics log support
- **AES 256-bit Encryption**
- **Features:**
 - RAISE™ provides RAID-like protection
 - Native Command Queuing (NCQ)
 - Data set management (TRIM) with OS support
 - Enhanced SMART ATA feature set
 - Secure Erase: standard/enhanced
 - Meets JESD218A (client drive class) standard
- **Power Management:**
 - 2.5-inch: 5V SATA Supply Rail
 - HIPM/DIPM
 - SATA Link Power Management (LPM)
 - SATA Interface Power Management
 - Hot plug/removal
- **Power:³**
 - Active: 1.49W (Avg)
 - Idle: 0.23W (Avg)
- **Temperature:**
 - Operating: 0° C to 70° C
 - Non-Operating: -40 °C to 85 °C
 - Temperature monitoring and logging
- **Reliability:**
 - UBER: ≤ 1 sector per 10¹⁵ bits read
 - MTBF: 1,500,000 hours
 - Shock: 1,500 G/0.5 ms, operating
 - ECC: Up to 55 bits correctable per 512-byte sector
- **Product Ecological Compliance:**
 - RoHS, REACH
- **Certifications and Declarations:**
 - CE, FCC, SATA-IO, BSMI, RCM/C-Tick, UL
 - CB, IC, VCCI
- **Compatibility:**
 - Windows 7 and Windows 8.1
 - openSUSE 13.1
 - Ubuntu 14.04
 - CentOS 7.0
 - Apple OS X Yosemite
- **Warranty**
 - 5 year Limited Warranty

1. 128KB transfer size: QD32
2. 4KB transfer size: QD32

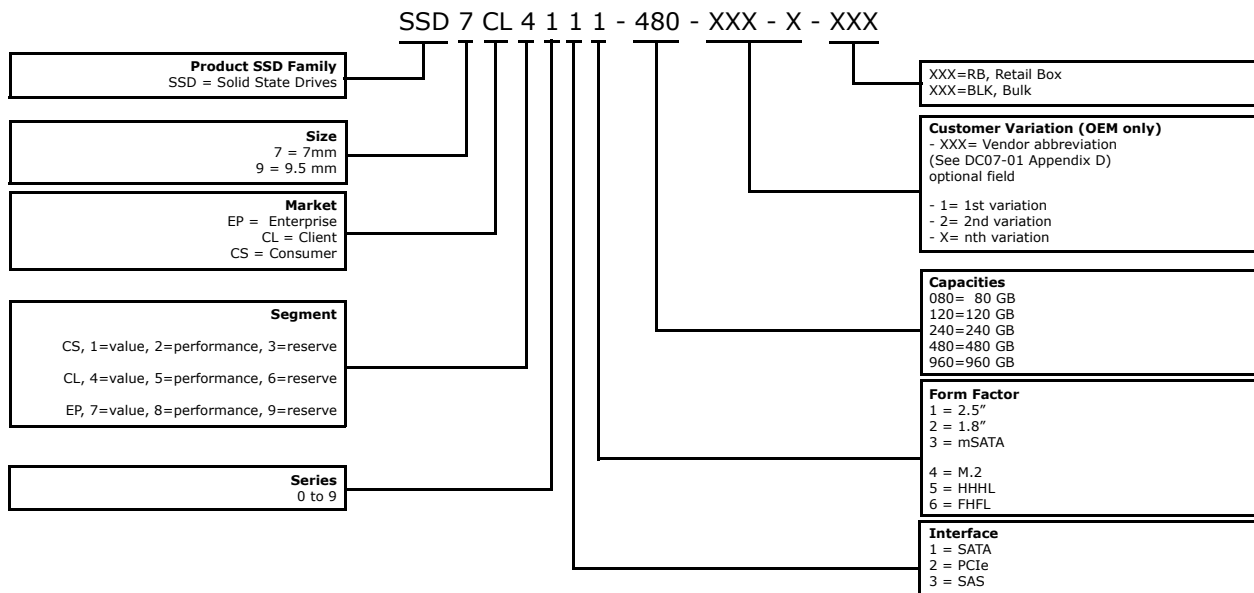
3. Based on 480 GB

CL4111

Ordering Information

Part Number	Size	Form Factor
SSD7CL4111-120-XXX	120 GB	2.5-inch (7mm with 2.5mm spacer)
SSD7CL4111-240-XXX	240 GB	2.5-inch (7mm with 2.5mm spacer)
SSD7CL4111-480-XXX	480 GB	2.5-inch (7mm with 2.5mm spacer)

Part Number Chart



Terms of Use

THESE TERMS GOVERN YOUR USE OF THIS DOCUMENT AND THE INFORMATION DISCLOSED THEREIN. DO NOT USE THIS DOCUMENT OR THE INFORMATION DISCLOSED THEREIN IF YOU DO NOT AGREE WITH THESE TERMS.

THIS DOCUMENT AND THE INFORMATION DISCLOSED THEREIN IS PROVIDED AS-IS SOLELY FOR USE WITH AND IN CONNECTION WITH PNY TECHNOLOGIES, INC. ("PNY") PRODUCTS. NO LICENSE, EXPRESS OR IMPLIED, BY ESTOPPEL OR OTHERWISE, TO ANY INTELLECTUAL PROPERTY RIGHTS IS GRANTED BY THIS DOCUMENT. EXCEPT AS PROVIDED IN PNY'S TERMS AND CONDITIONS OF SALE FOR SUCH PRODUCTS, PNY ASSUMES NO LIABILITY WHATSOEVER, AND PNY DISCLAIMS ANY EXPRESS OR IMPLIED WARRANTY, RELATING TO THE SALE AND/OR USE OF PNY PRODUCTS INCLUDING LIABILITY AND WARRANTIES RELATING TO FITNESS FOR A PARTICULAR PURPOSE, MERCHANTABILITY, OR INFRINGEMENT OF ANY PATENT, COPYRIGHT OR OTHER INTELLECTUAL PROPERTY RIGHT.

PNY PRODUCTS ARE NOT INTENDED TO BE USED IN MISSION CRITICAL APPLICATIONS. A "MISSION CRITICAL APPLICATION" IS ANY APPLICATION IN WHICH FAILURE OF THE PNY PRODUCT COULD RESULT, DIRECTLY OR INDIRECTLY, IN PERSONAL INJURY OR DEATH. SHOULD YOU PURCHASE OR USE PNY'S PRODUCTS FOR ANY MISSION CRITICAL APPLICATION, YOU HEREBY AGREE TO AND SHALL INDEMNIFY AND HOLD PNY AND ITS SUBSIDIARIES, SUBCONTRACTORS AND AFFILIATES, PREDECESSORS, SUCCESSORS AND SUCCESSORS-IN-INTEREST, AND THEIR RESPECTIVE HEIRS, EXECUTORS, ADMINISTRATORS, ASSIGNS, OFFICERS, MANAGERS, DIRECTORS, EMPLOYEES, SHAREHOLDERS, AND AGENTS OF EACH ("INDEMNIFIED PARTIES"), HARMLESS AGAINST ALL CLAIMS, COSTS, DAMAGES, AND EXPENSES AND REASONABLE ATTORNEYS' FEES ARISING OUT OF, DIRECTLY OR INDIRECTLY, ANY CLAIM OF PRODUCT LIABILITY, PERSONAL INJURY, OR DEATH ARISING IN ANY WAY OUT OF SUCH MISSION CRITICAL APPLICATION, WHETHER OR NOT THE INDEMNIFIED PARTIES WERE NEGLIGENT IN THE DESIGN, MANUFACTURE, OR WARNING OF THE PNY PRODUCT OR ANY OF ITS PARTS.

PNY may, in its sole discretion and without notice, make changes to specifications and product descriptions at any time. By using this document you agree not to rely on the absence or characteristics of any features or instructions marked "reserved" or "undefined." PNY reserves these for future definition and shall have no responsibility whatsoever for conflicts or incompatibilities arising from future changes. The information here is subject to change without notice. Do not finalize a design with this information.

The PNY Products described in this document may contain design defects or errors known as errata which may cause the product to deviate from published specifications. Current characterized errata are available on request. Contact your local PNY sales office or your distributor to obtain the latest specifications and before placing your product order. Copies of documents which have an order number and are referenced in this document, or other PNY literature, may be obtained by calling 1-800-234-4597, or go to: <http://www.pny.com/>

Low Halogen applies only to brominated and chlorinated flame retardants (BFRs/CFRs) and PVC in the final product. PNY components as well as purchased components on the finished assembly meet JS-709 requirements, and the PCB/substrate meet IEC 61249-2-21 requirements. The replacement of halogenated flame retardants and/or PVC may not be better for the environment.

PNY® and the PNY logo are trademarks of PNY in the U.S. and other countries.

*Other names and brands used in this document may be the property of others.

Copyright © 2015 PNY. All rights reserved.